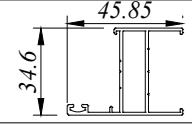
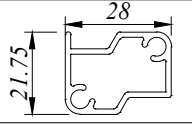
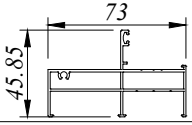
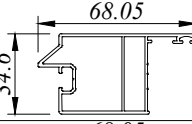
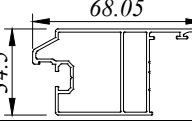
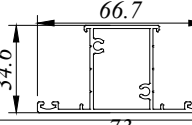
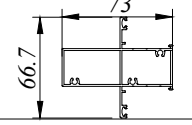
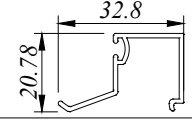
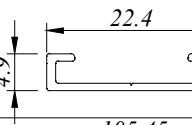
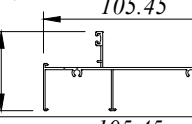
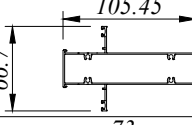
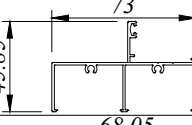
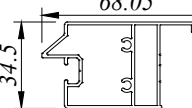
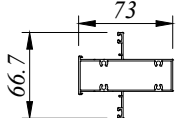
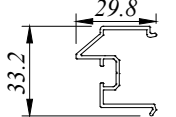
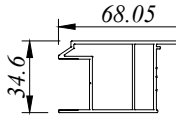
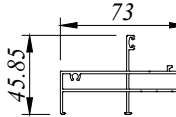
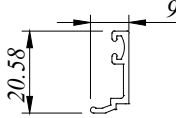
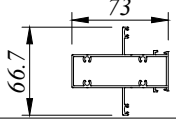
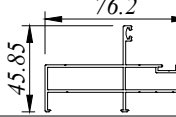
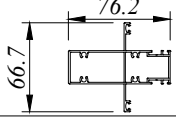
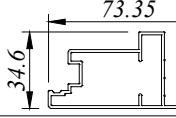
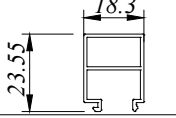


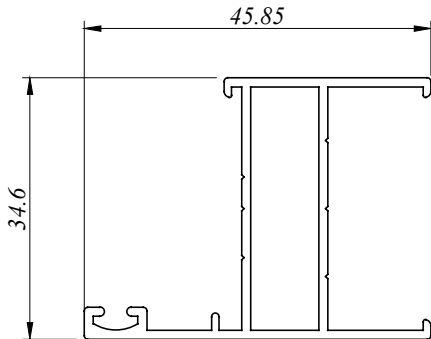
- MCW -
*M CASEMENT
WINDOW
9 SERIES*

PROFILE NO.	PICTURE OF PROFILE	WEIGHT (KG/M)	THICKNESS	PACKING IN BUNDLE (PCS)
			AREA PERIMETER	
MCW 91010		0.500	1.20 MM 219.778 MM	4
MCW 92006		0.410	1.40 MM 100.068 MM	4
MCW 92010		0.856	1.20 MM 328.452 MM	6
MCW 92020		0.790	1.30 MM 460.344 MM	4
MCW 92022		0.800	1.20MM 243.219 MM	4
MCW 92030		0.705	1.30 MM 254.774 MM	4
MCW 92031		1.088	1.30 MM 331.145 MM	4
MCW 92040		0.245	1.20 MM 152.519 MM	8
MCW 92042		0.102	1.00 MM 71.054 MM	40
MCW 92043		0.744	1.00 MM 463.472 MM	4
MCW 92044		1.229	1.20 MM 396.119 MM	2
MCW 92045		0.681	1.20 MM 389.685 MM	6
MCW 92046		0.830	1.20 MM 234.547 MM	4

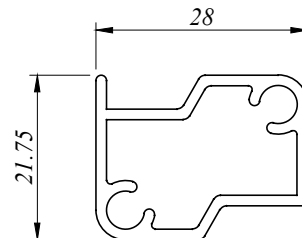
All Profiles are standard length 6.1 M for MCW Series

PROFILE NO.	PICTURE OF PROFILE	WEIGHT (KG/M)	THICKNESS	PACKING IN BUNDLE (PCS)
			AREA PERIMETER	
MCW 92047		1.018	1.20 MM 331.648 MM	4
MCW 92048		0.345	1.20 MM 205.677 MM	10
MCW 92049		0.878	1.40 MM 262.975 MM	4
MCW 92050		1.011	1.40 MM 330.889 MM	4
MCW 92051		0.138	1.40 MM 73.318 MM	10
MCW 92052		1.159	1.40 MM 342.418 MM	4
MCW 92053		0.940	1.30 MM 327.183 MM	4
MCW 92054		1.201	1.30 MM 348.977 MM	4
MCW 92055		0.794	1.30 MM 240.557 MM	4
MCW 92056		0.246	1.00 MM 123.736 MM	10

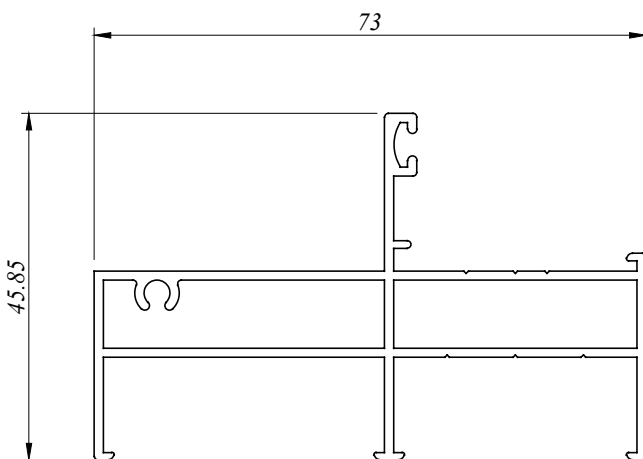
All Profiles are standard length 6.1 M for MCW Series



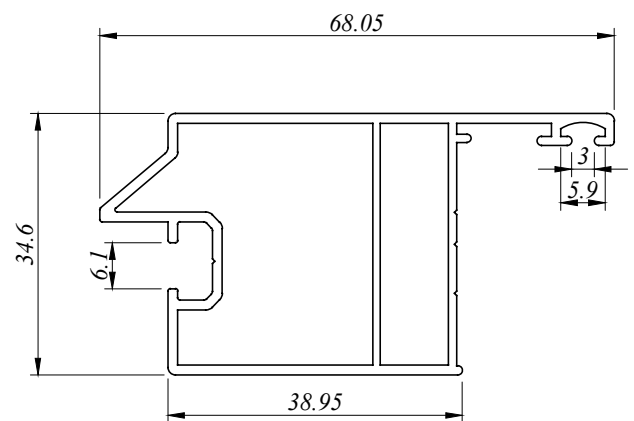
MCW 91010
0.500 Kg/M
AP : 219.778 MM



MCW 92006
0.410 Kg/M
AP : 100.068 MM



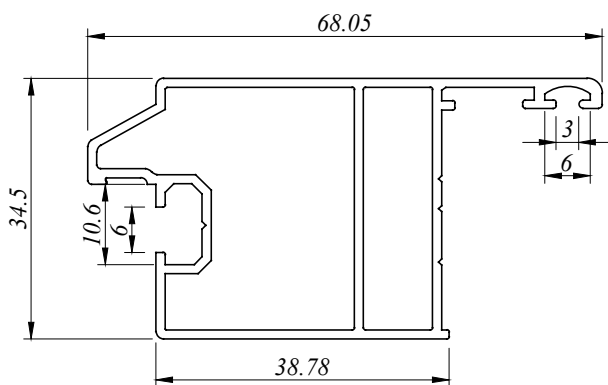
MCW 92010
0.856 Kg/M
AP : 328.452 MM



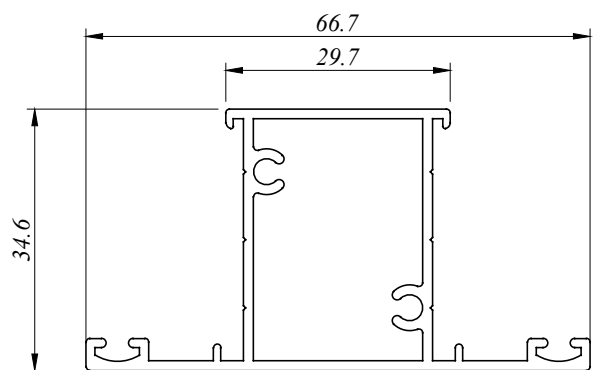
MCW 92020
0.790 Kg/M
AP : 460.344 MM

MCW - M Casement Window

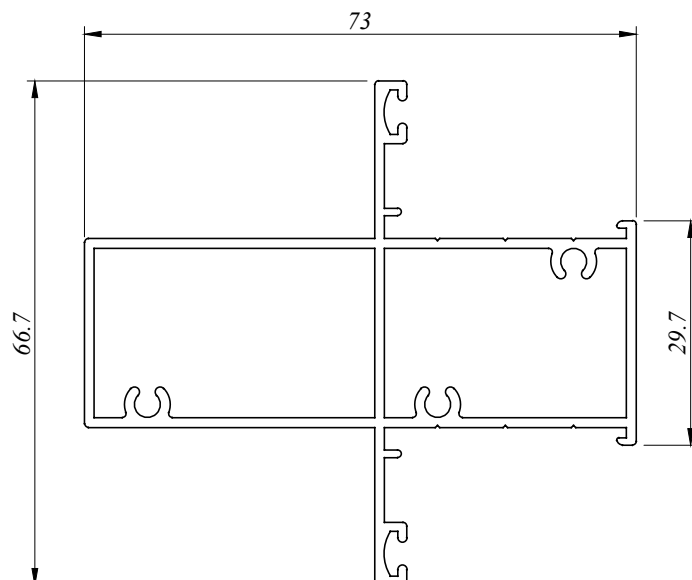
9 SERIES



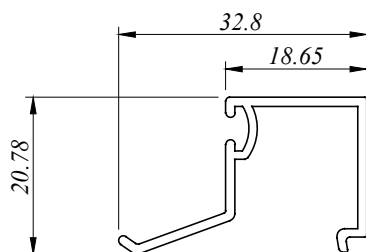
MCW 92022
0.800 Kg/M
AP : 243.219 MM



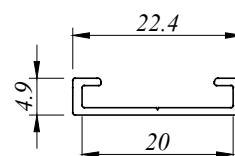
MCW 92030
0.705 Kg/M
AP : 254.774 MM



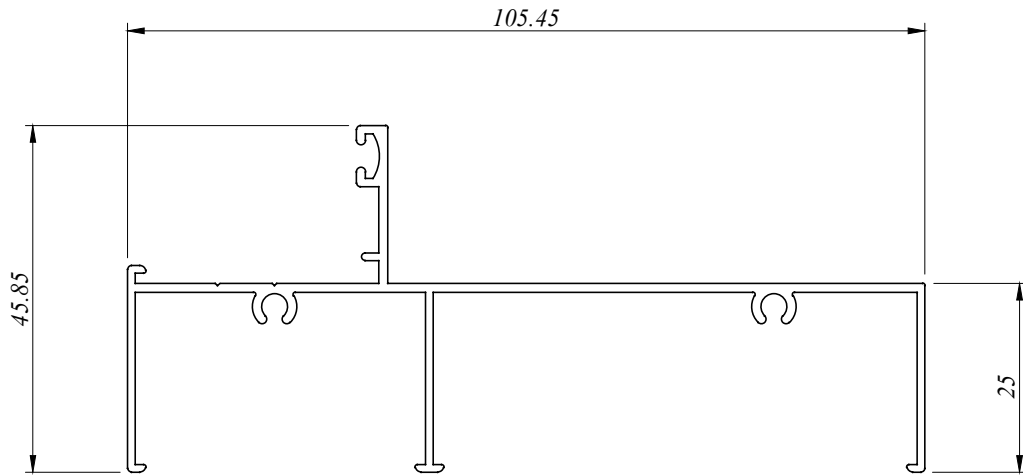
MCW 92031
1.088 Kg/M
AP : 331.145 MM



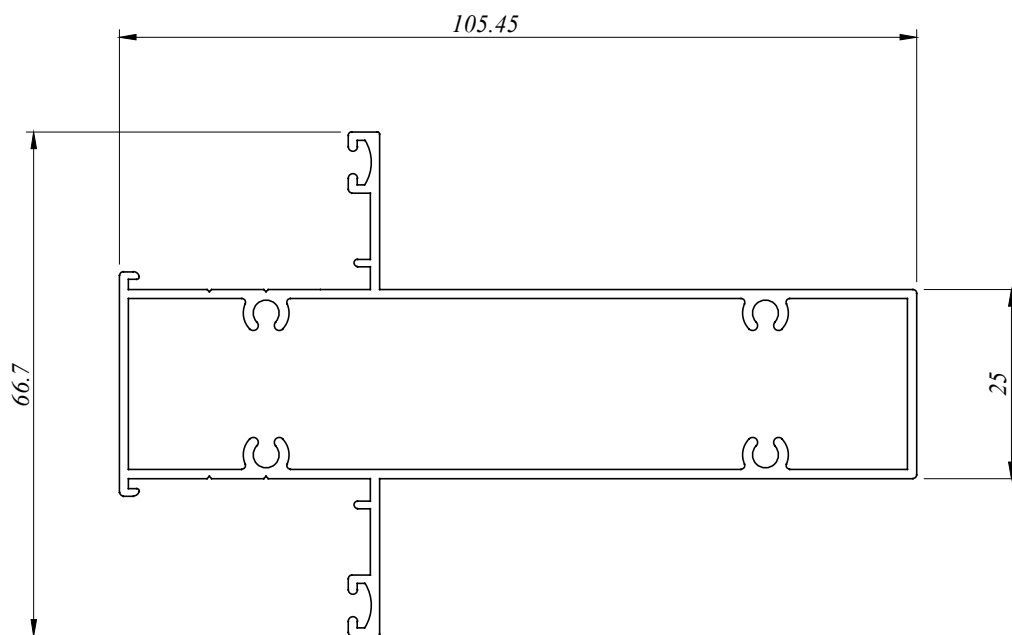
MCW 92040
0.245 Kg/M
AP : 152.519 MM



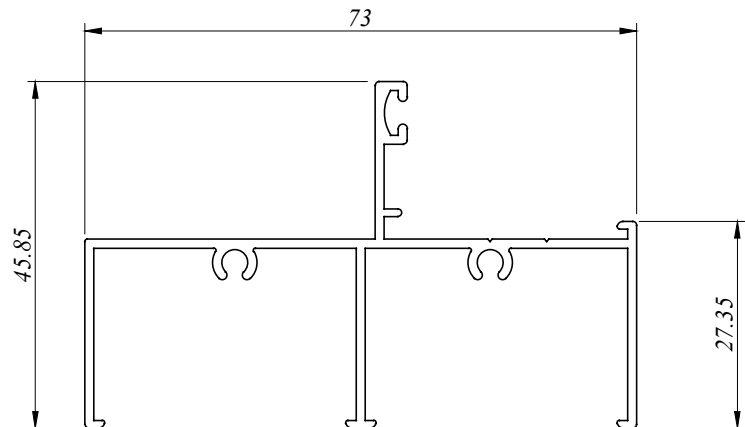
MCW 92042
0.102 Kg/M
AP : 71.054 MM



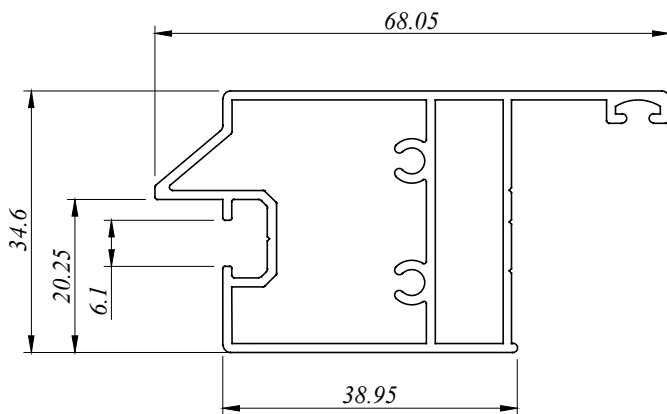
MCW 92043
0.744 Kg/M
AP : 463.472 MM



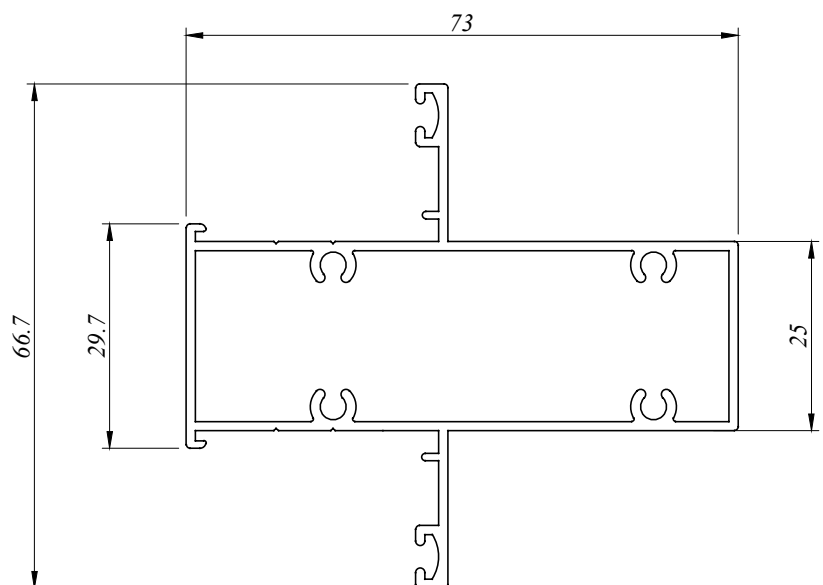
MCW 92044
1.229 Kg/M
AP : 396.119 MM



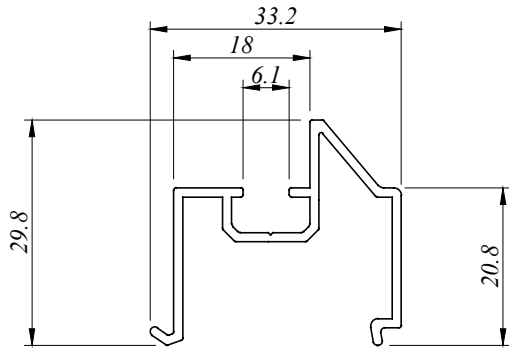
MCW 92045
0.681 Kg/M
AP : 389.685 MM



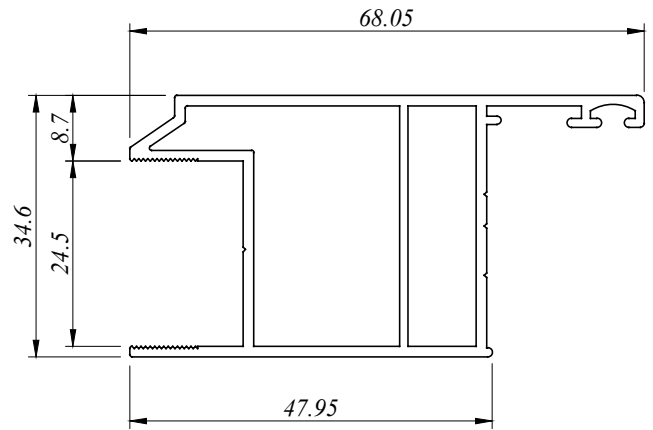
MCW 92046
0.830 Kg/M
AP : 234.547 MM



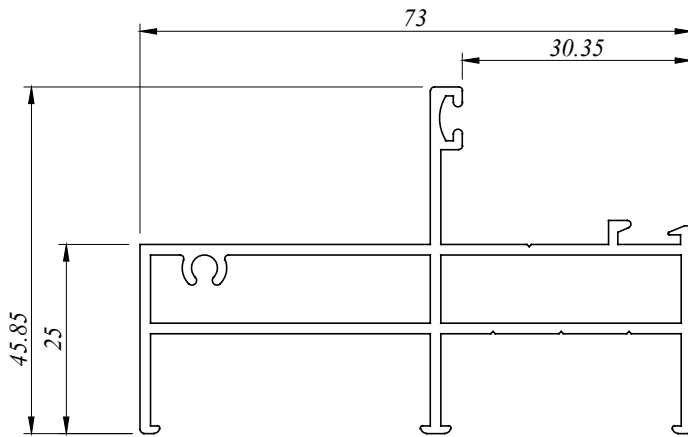
MCW 92047
1.018 Kg/M
AP : 331.648 MM



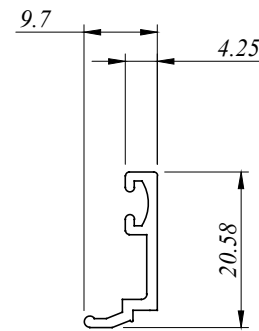
MCW 92048
0.345 Kg/M
AP : 205.677 MM



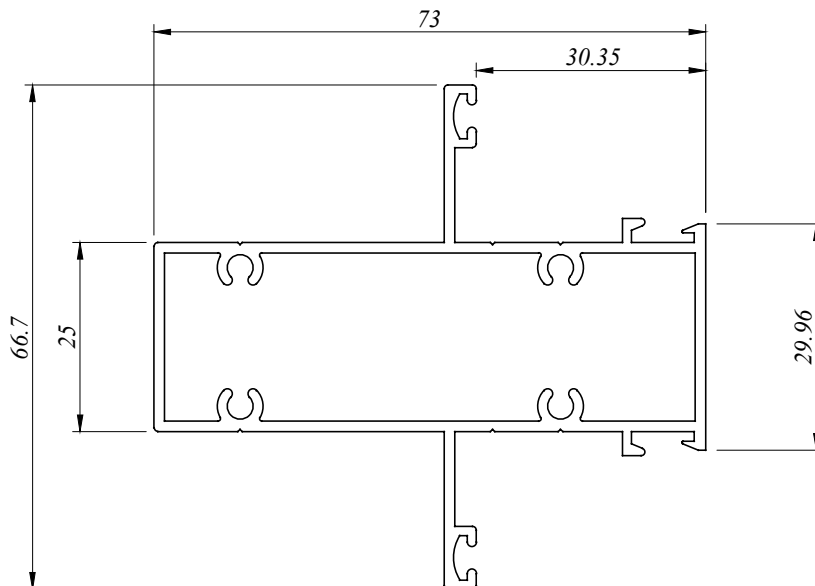
MCW 92049
0.878 Kg/M
AP : 262.975 MM



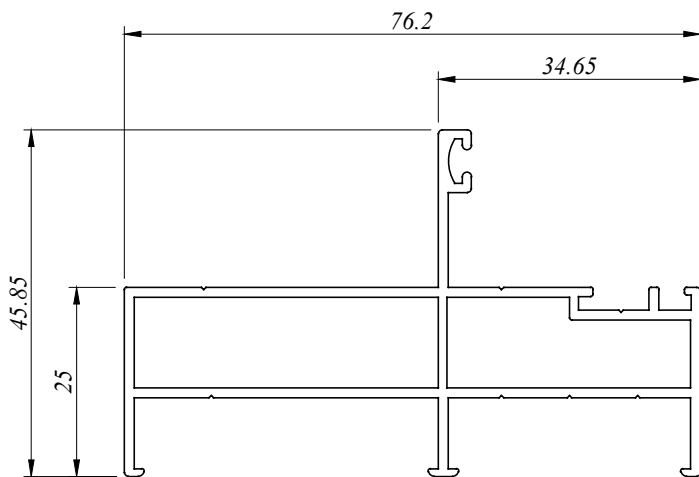
MCW 92050
1.011 Kg/M
AP : 330.889 MM



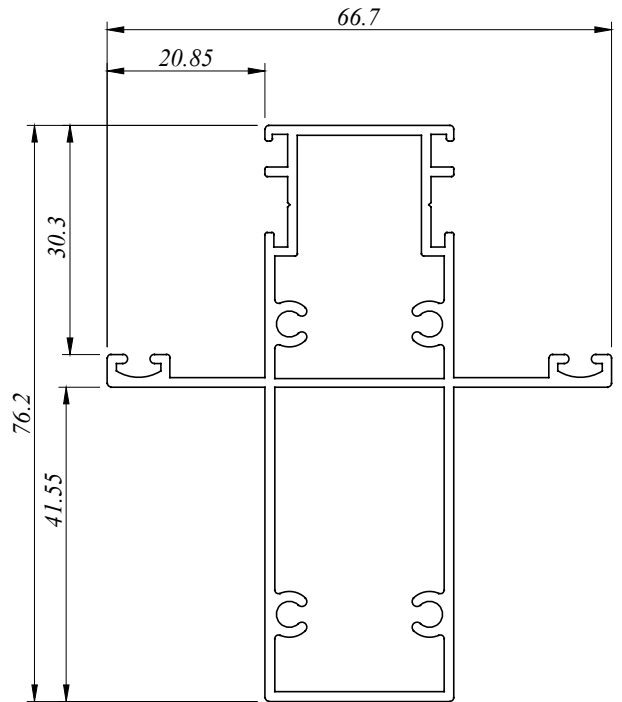
MCW 92051
0.138 Kg/M
AP : 73.3189 MM



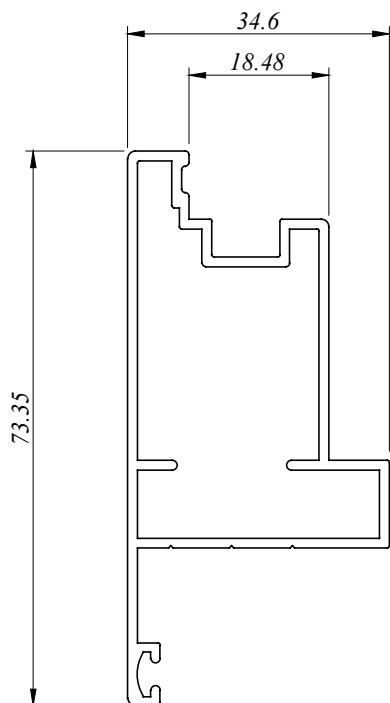
MCW 92052
1.159 Kg/M
AP : 342.418 MM



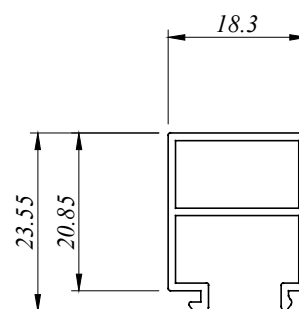
MCW 92053
0.940 Kg/M
AP : 327.183 MM



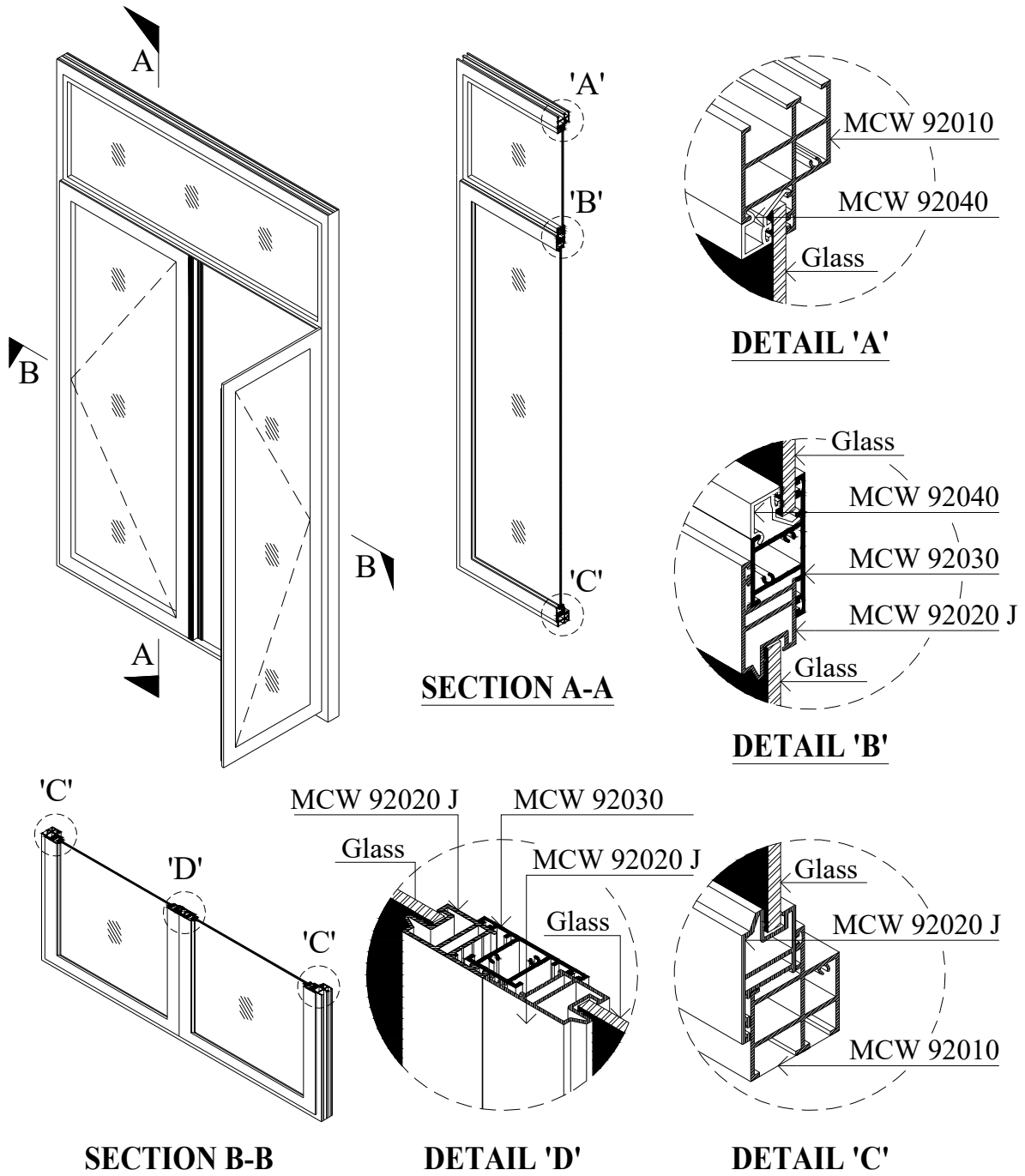
MCW 92054
1.201 Kg/M
AP : 348.977 MM

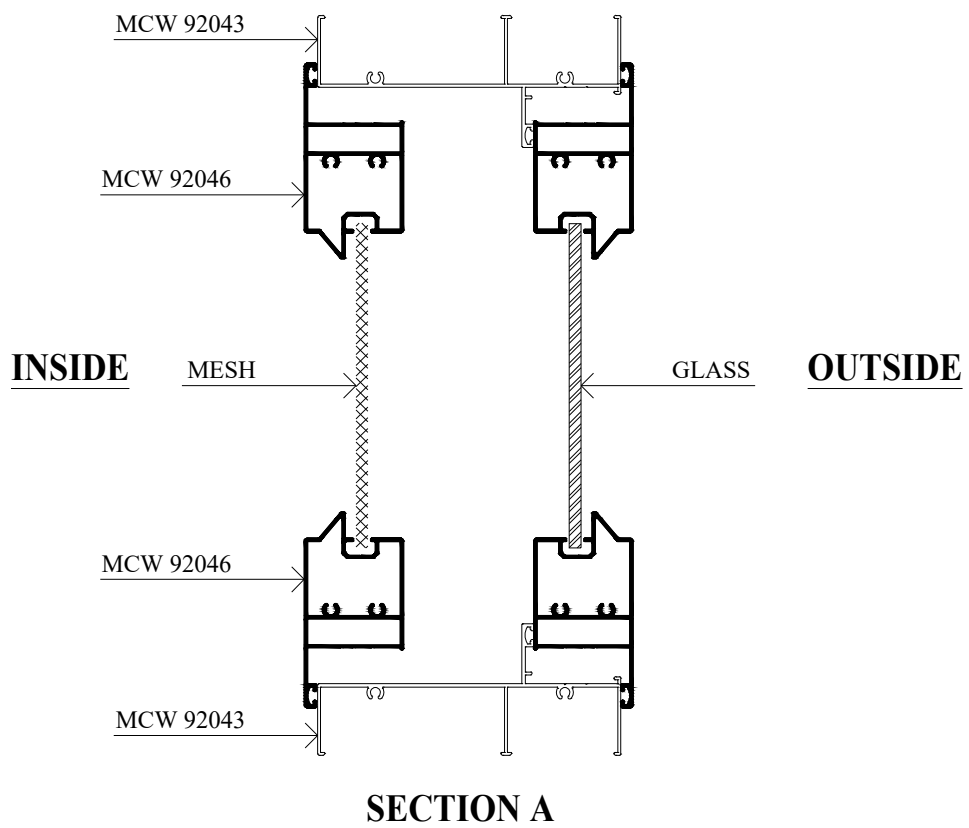
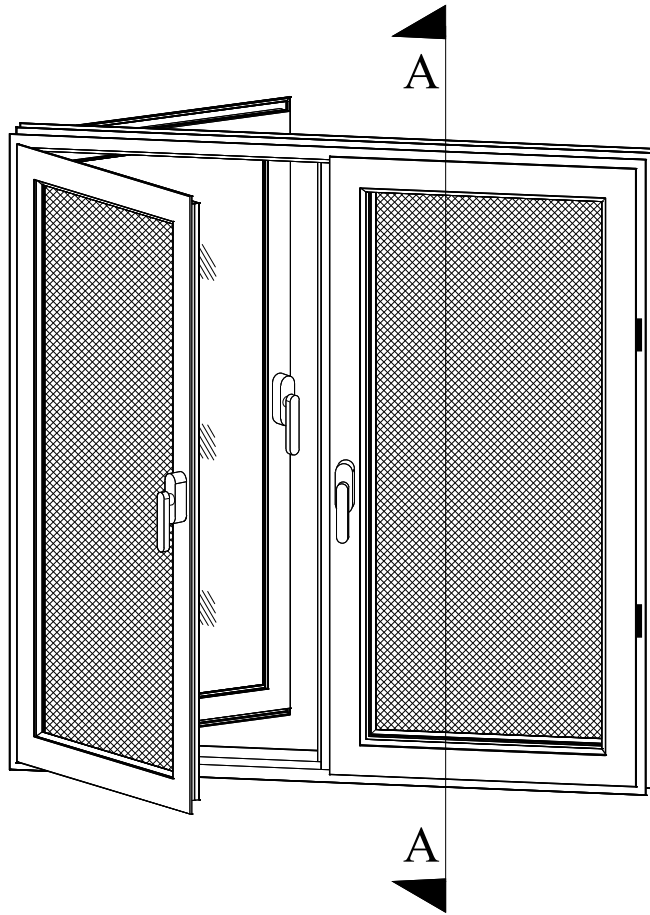


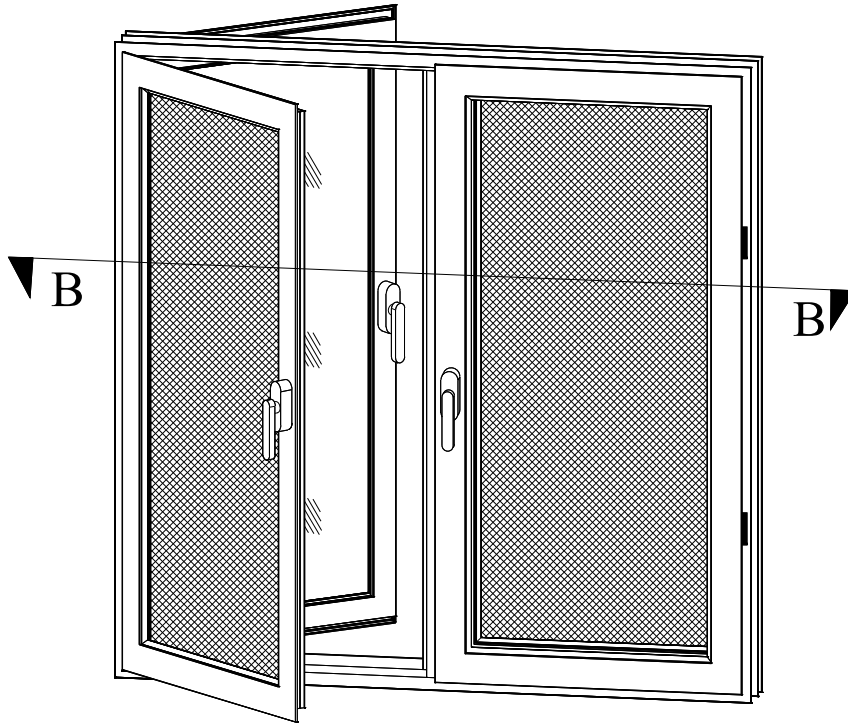
MCW 92055
0.794 Kg/M
AP : 240.557 MM



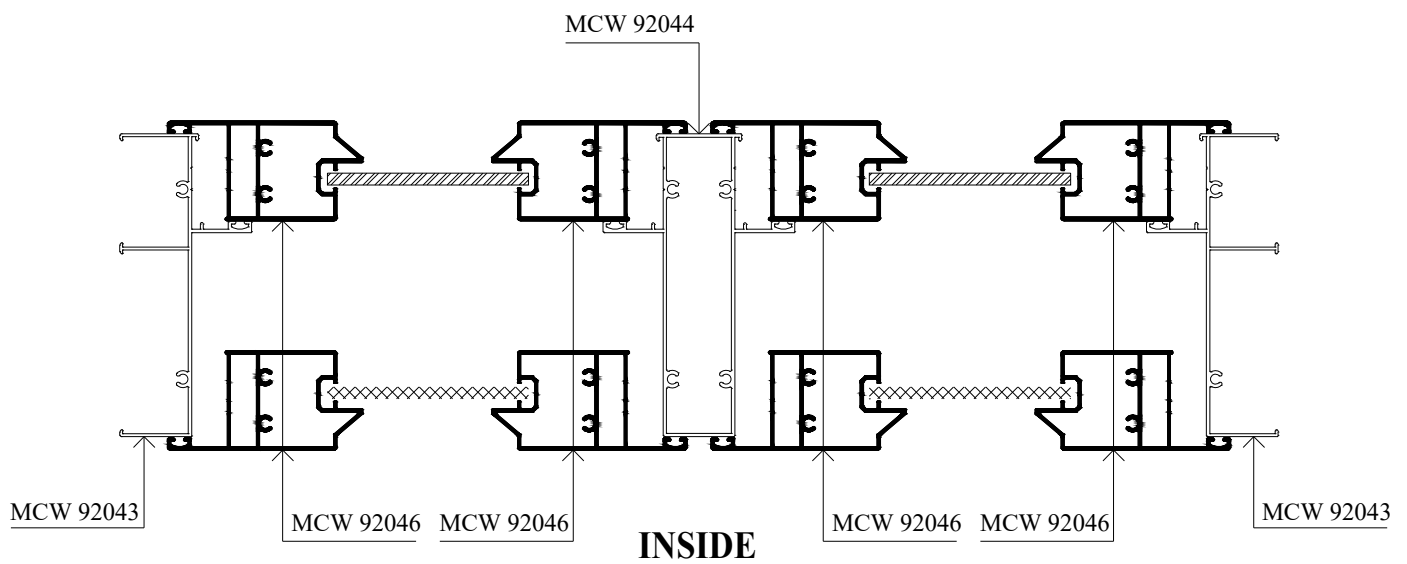
MCW 92056
0.246 Kg/M
AP : 123.736 MM



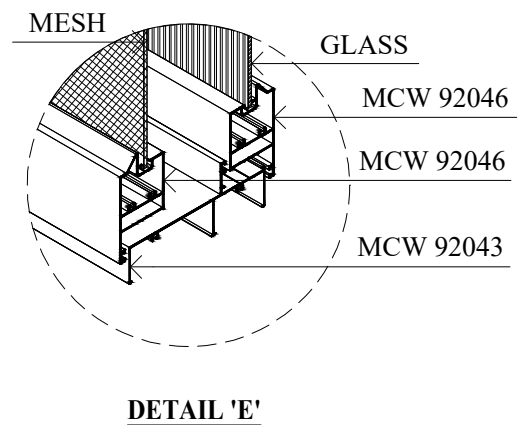
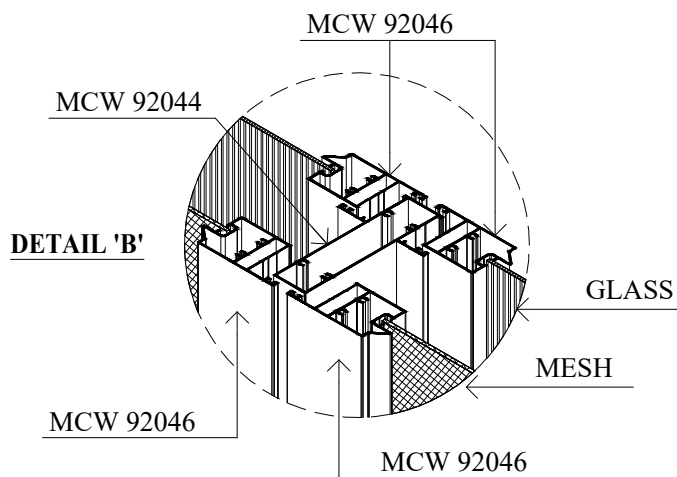
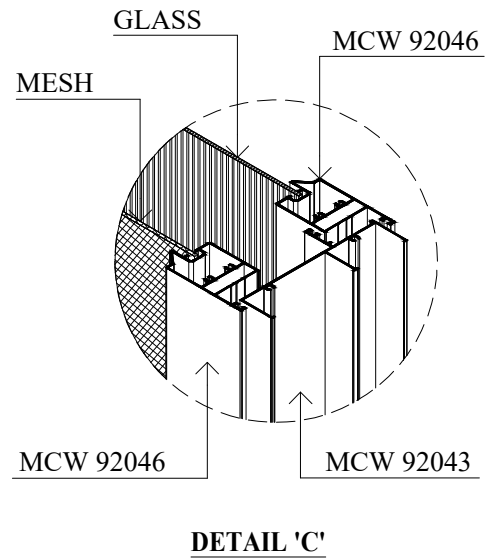
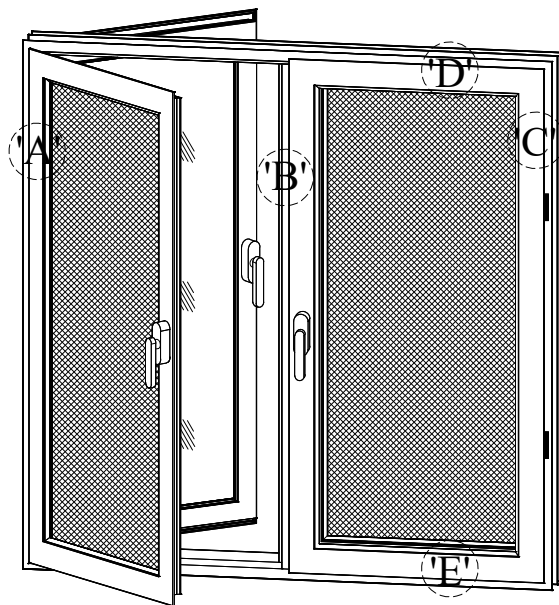
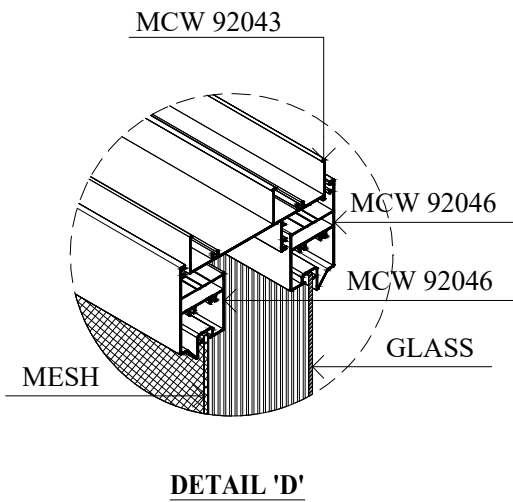
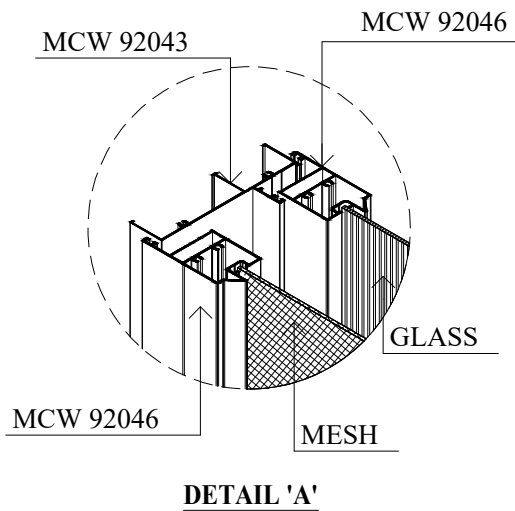




OUTSIDE



SECTION B



aluminium profiles component usage

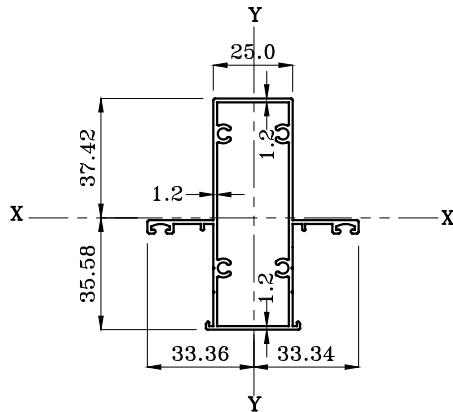
M Casement Window - MCW9 Series

MCW-M Casement Window

SECTION NO. : MCW 92047

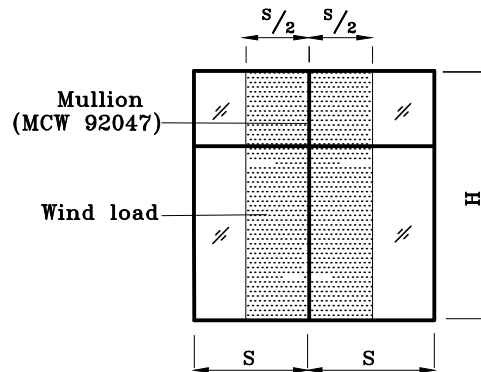
Alum. alloy : 6063-T5
 Moment of inertia I_{xx} : 18.14cm⁴
 Mod. of section Z_{xx} : 4.85cm³

Mod. of elasticity : 70 x 10³ Mpa
 Design bend. stress : 83.75 Mpa
 Defln. limit : $\frac{\text{Span}}{175}$, up to max. 20mm
 Nature of anchor : Simply supported at both ends

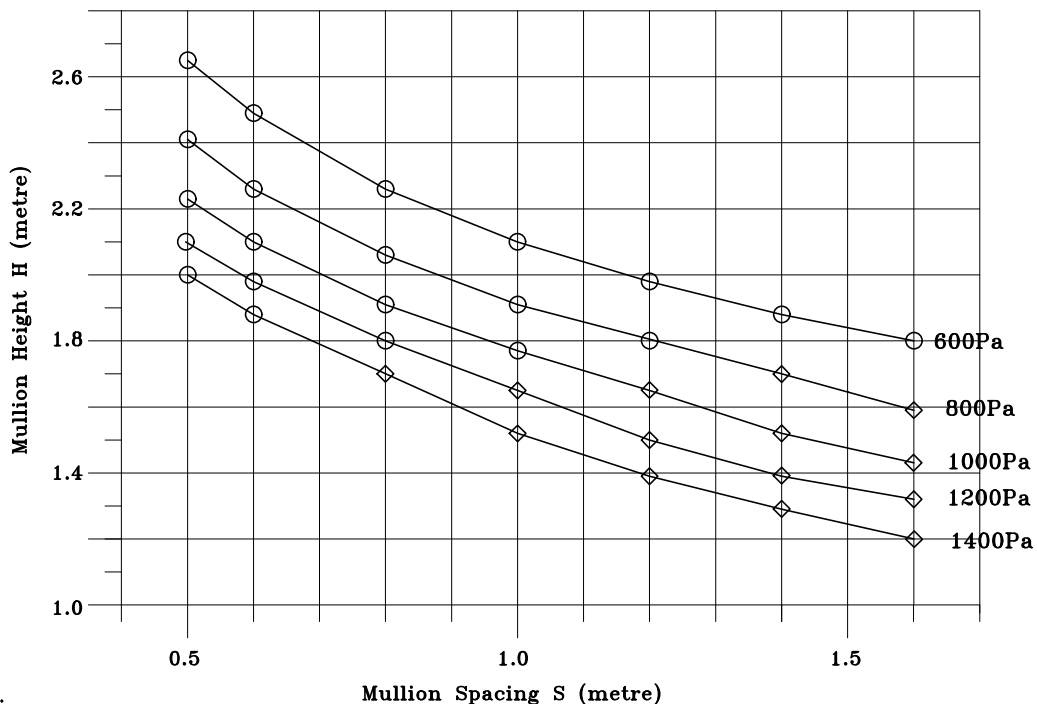


Note:
 Suffix xx denotes axis perpendicular to wind load

Typical configuration of casement window



Wind Load Chart



Note:
 ○ Deflection limit governs, ◇ Design bending stress governs
 This chart is applicable to wind load pattern as shown only.



BP Aluminium Extrusion Sdn. Bhd.

No.15 & 16, 1C KKIP Selatan, Industrial Zone 2, KKIP,
 88450, Jalan Sepanggar, Menggatal.
 t: 60-88-499333, 499111 f: 60-88-499222
 b_p_a_e@yahoo.com