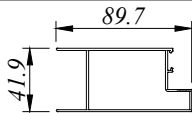
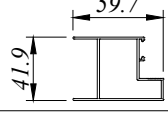
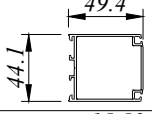
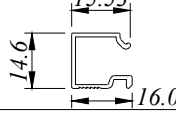
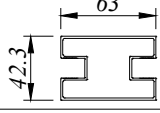
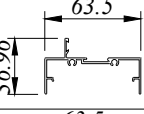
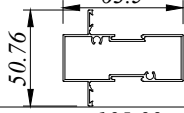
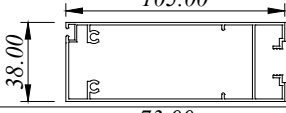
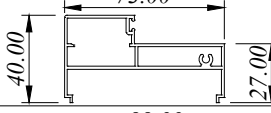
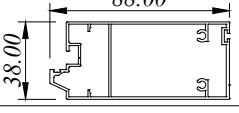
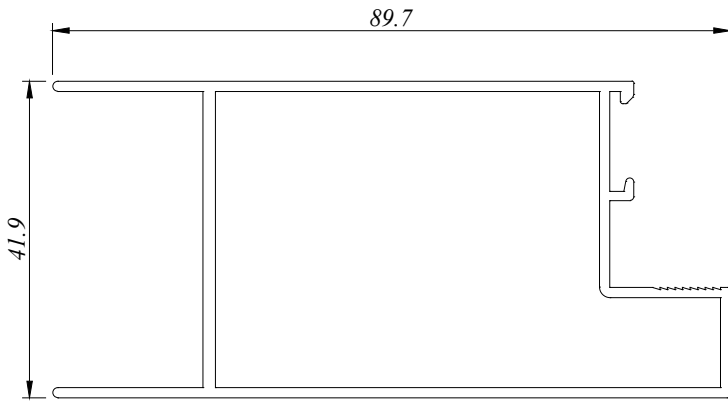


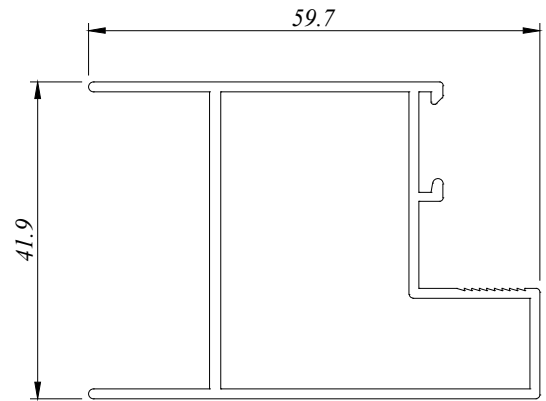
*SWD - Swing Door*  
*460 SERIES*

PROFILE NO.	PICTURE OF PROFILE	WEIGHT (KG/M)	THICKNESS	PACKING IN BUNDLE (PCS)
			AREA PERIMETER	
SWD 4601		1.070	1.35 MM 322.414 MM	3
SWD 4602		0.841	1.30 MM 254.527 MM	4
SWD 4603		0.763	1.30 MM 246.091 MM	4
SWD 4604		0.139	1.00 MM 102.628 MM	24
SWD 4605		1.047	1.40 MM 284.753 MM	3
SWD 4606		0.570	1.20 MM 326.330 MM	3
SWD 4607		0.670	1.00 MM 258.482 MM	4
SWD 4608		1.292	1.30 MM 395.424 MM	3
SWD 4609		0.952	1.30 MM 274.455 MM	4
SWD 4610		1.187	1.20 MM 280.360 MM	3

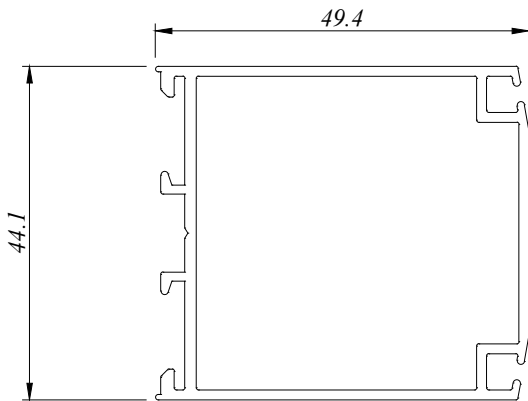
All Profiles are standard length 6.1 M for SWD Series  
# Except SWD 4603 which is 4.34M & 4.88M



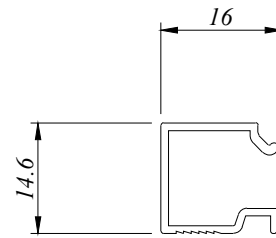
SWD 4601  
1.070 Kg/M  
AP : 322.414 MM



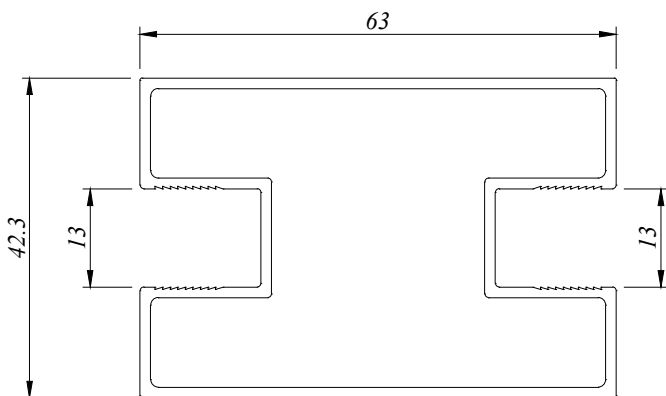
SWD 4602  
0.841 Kg/M  
AP : 254.527 MM



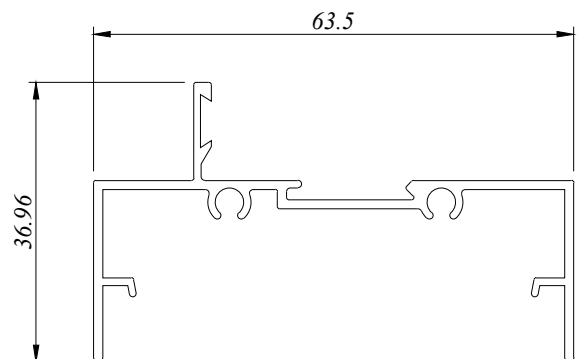
SWD 4603  
0.763 Kg/M  
AP : 246.091 MM



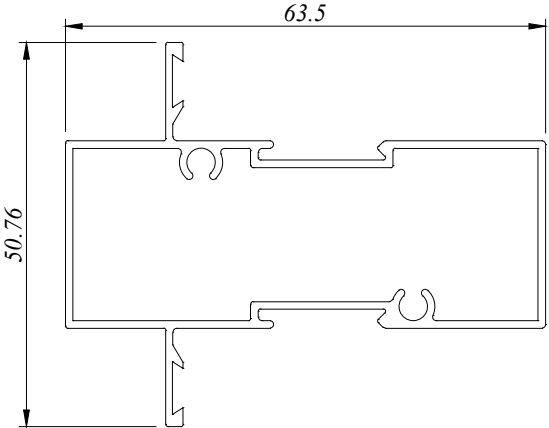
SWD 4604  
0.139 Kg/M  
AP : 102.628 MM



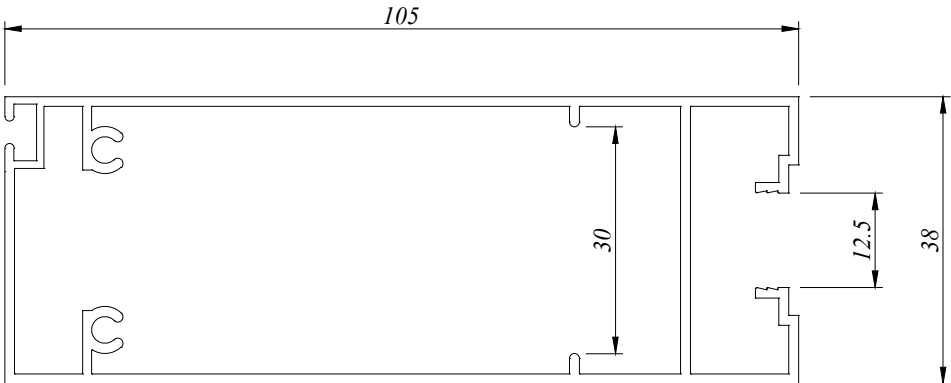
SWD 4605  
1.047 Kg/M  
AP : 284.753 MM



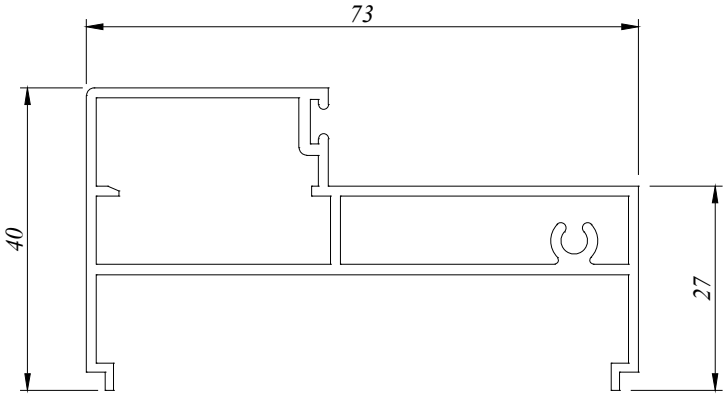
SWD 4606  
0.570 Kg/M  
AP : 326.330 MM



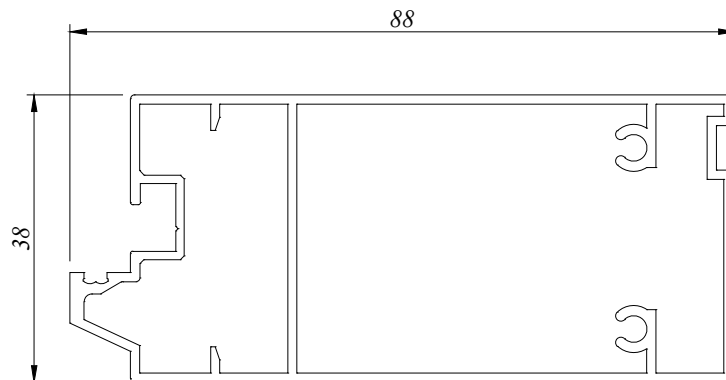
SWD 4607  
0.670 Kg/M  
AP : 258.482 MM



SWD 4608  
1.292 Kg/M  
AP : 395.424 MM



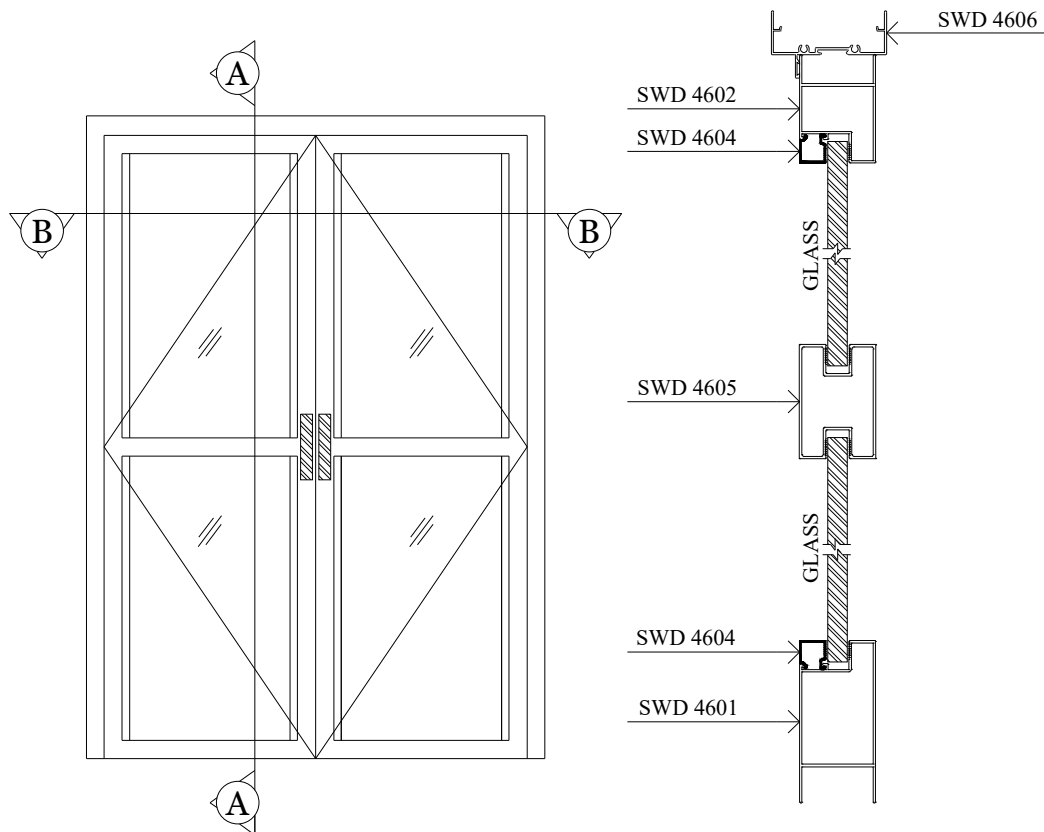
SWD 4609  
0.952 Kg/M  
AP : 274.455 MM



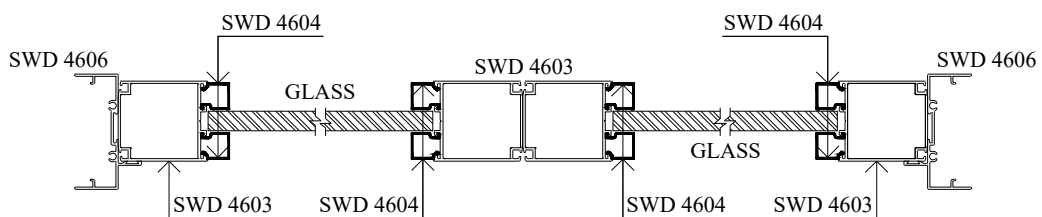
SWD 4610  
1.187 Kg/M  
AP : 280.360 MM

# aluminium profiles component usage

## Swing Door - SWD 460 Series



SECTION VIEW A - A



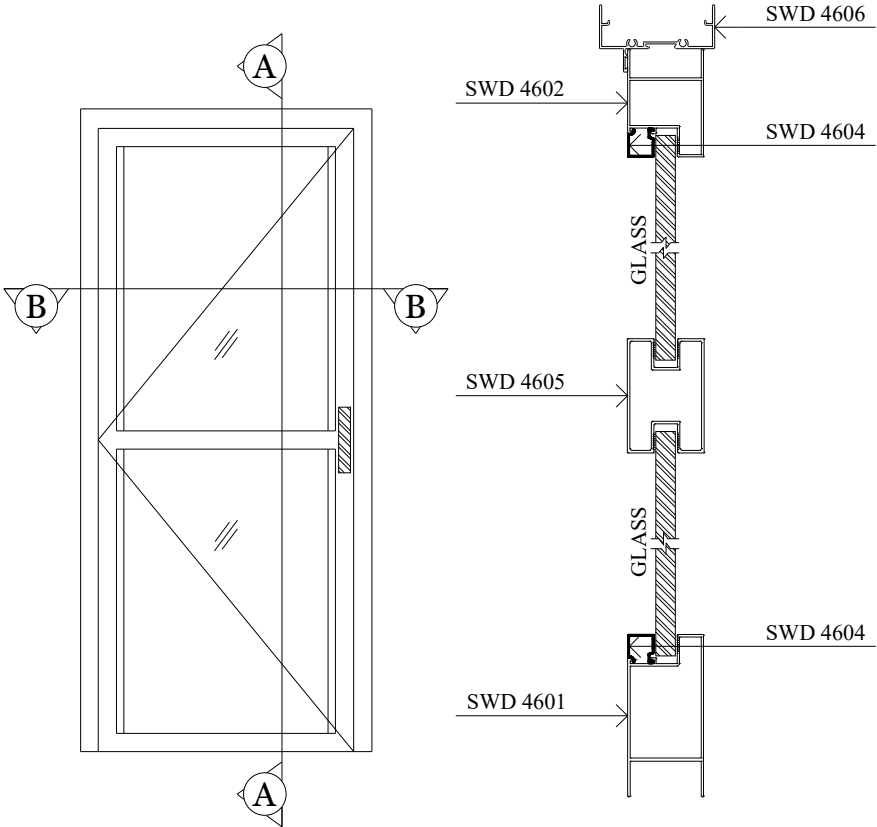
SECTION VIEW B - B

**we made aluminium into shapes ...**

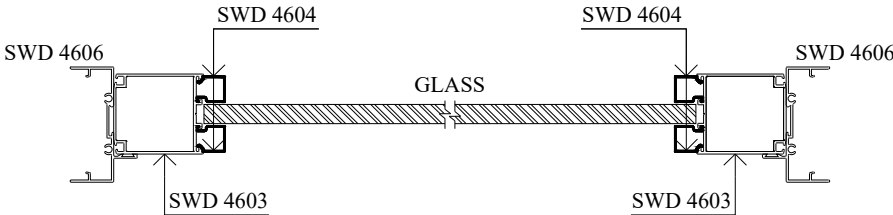
*profile information*

# aluminium profiles component usage

## Swing Door - SWD 460 Series



SECTION VIEW A - A



SECTION VIEW B - B



**BP Aluminium Extrusion Sdn. Bhd.**

**No.15 & 16, 1C KKIP Selatan, Industrial Zone 2, KKIP,  
88450, Jalan Sepanggar, Menggatal.**

**t : 60-88-499333, 499111 f : 60-88-499222**

**b\_p\_a\_e@yahoo.com**