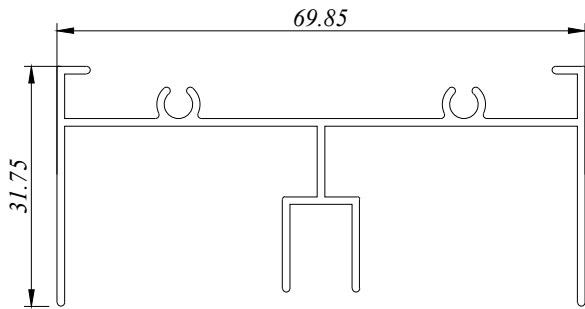


SW - Sliding Window

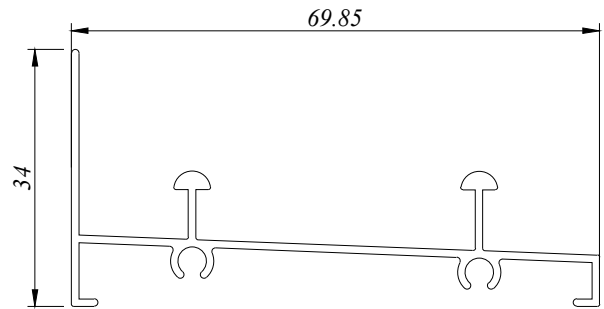
34 SERIES

PROFILE NO.	PICTURE OF PROFILE	WEIGHT (KG/M)	THICKNESS	PACKING IN BUNDLE (PCS)
			AREA PERIMETER	
SW 3401		0.556	1.00 MM 390.813 MM	6
SW 3402		0.497	1.00 MM 306.804 MM	6
SW 3403		0.385	1.00 MM 284.044 MM	10
SW 3404		0.424	1.00 MM 307.976 MM	6
SW 3405		0.348	1.00 MM 172.986 MM	12
SW 3406		0.397	1.00 MM 215.297 MM	12
SW 3407		0.224	1.00 MM 165.817 MM	12
SW 3408		0.306	0.95 MM 200.595 MM	12
SW 3411		0.406	1.00 MM 231.421 MM	12
SW 3412		0.277	1.00 MM 148.870 MM	12

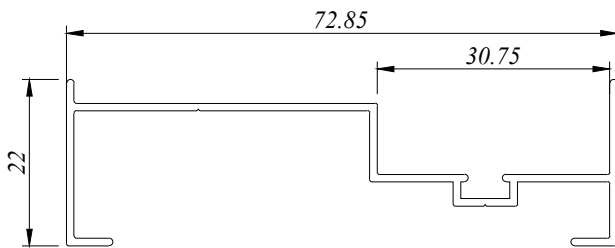
All Profiles are standard length 6.1 M for SW Series
 *Except for SW 3407 standard length
 6.10m, 4.34m & 4.88m



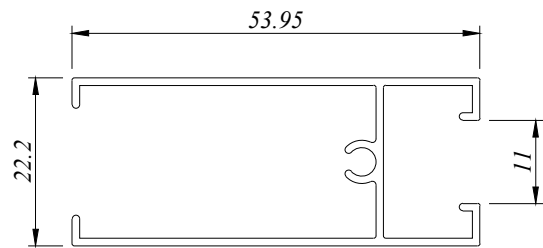
SW 3401
0.556 Kg/M
AP : 390.813 MM



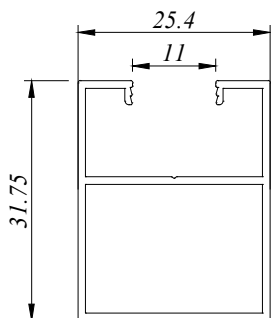
SW 3402
0.497 Kg/M
AP : 306.804 MM



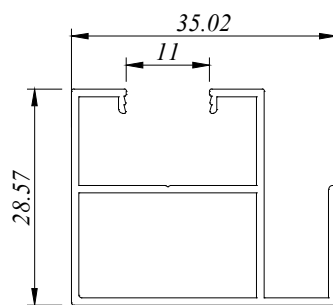
SW 3403
0.385 Kg/M
AP : 284.044 MM



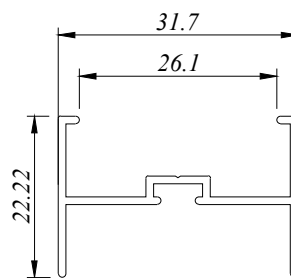
SW 3404
0.424 Kg/M
AP : 307.976 MM



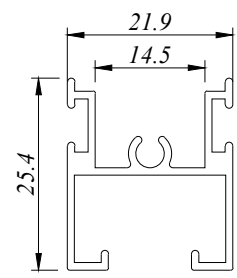
SW 3405
0.348 Kg/M
AP : 172.986 MM



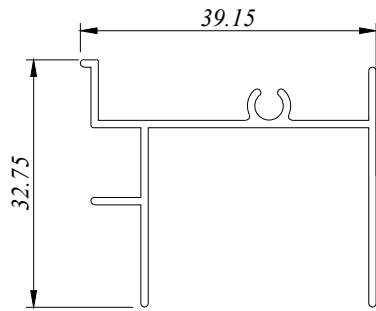
SW 3406
0.397 Kg/M
AP : 215.297 MM



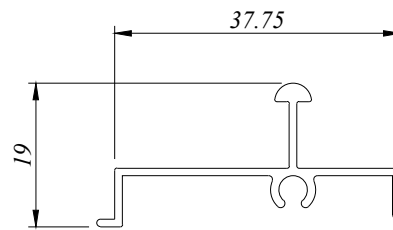
SW 3407
0.224 Kg/M
AP : 165.817 MM



SW 3408
0.306 Kg/M
AP : 200.595 MM



SW 3411
0.406 Kg/M
AP : 231.421 MM



SW 3412
0.277 Kg/M
AP : 148.870 MM



BP Aluminium Extrusion Sdn. Bhd.

**No.15 & 16, 1C KKIP Selatan, Industrial Zone 2, KKIP,
88450, Jalan Sepanggar, Menggatal.**

t : 60-88-499333, 499111 f : 60-88-499222

b_p_a_e@yahoo.com